

Series AM

Air Cylinder/Double Acting

Lube · Non-Lube · Air-Hydro Type/φ 40, φ 50, φ 63, φ 80, φ 100



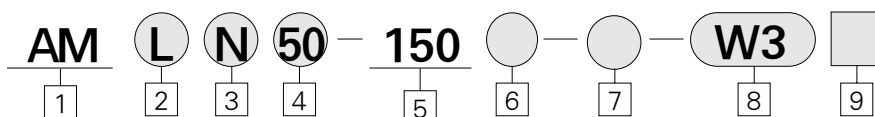
- BUILT-IN AIR CUSHION
- DESIGNED FOR LONG LIFE & HIGH SPEED
- AVAILABLE FOR THE WIDE STROKE & BORE SIZE

Symbol

Double acting



How To Order



1 Air Cylinder
Standard
(Built-in magnet)

2 Mounting
B : Standard
L : Foot
F : Front flange
G : Rear flange
C : Single clevis
D : Double clevis
T : Center trunnion

3 Type
Blank : Lubricated
N : Non-lube
H : Air-hydro
F : Iron tube
(W/O Magnet)

4 Bore Size(mm)
40 : φ 40
50 : φ 50
63 : φ 63
80 : φ 80
100 : φ 100

5 Stroke/(mm)

6 Rod Boot Option
Rod Boot J : Nylon tarpaulin
K : Neoprene cloth
Cushion Blank : Both end
N : None
H : Head end
R : Rod end

* Air-hydro type : Standard type is without cushion.
** Suffix in alphabetical sequence when symbols more than double.

7 Special Option
Blank : Standard type
XC16 : Copper-free

8 Applicable Auto Switch
Blank : Without Auto Switch
W3 : Reed switch type,
W3(AC100,200V,DC 24V)
Standard Auto Switch lead wire length is 0.5m.

* Please suffix L at the end for lead wire of 3m(OPTION)
(Example) W3 - W3L

9 Number of Switches
Blank : 2 pcs.
S : 1 pc.
2 : 2 pcs.
n : n pcs.

Model

Model	Type	Action	Seal
AM	Lubricated		O Ring
AMON	Non-lube	Double	Special
AMOH	Air-hydro		Special

Parts No. Of Mounting Bracket

Bore size	φ 40	φ 50	φ 63	φ 80	φ 100
※ Foot	TCA2L40	TCA2L50	TCA2L63	TCA2L80	TCA2L100
Flange	TCA2F40	TCA2F50	TCA2F63	TCA2F80	TCA2F100
Single clevis	TCA2C40	TCA2C50	TCA2C63	TCA2C80	TCA2C100
Double clevis	TCA2D40	TCA2D50	TCA2D63	TCA2D80	TCA2D100

※ 2 pcs min for order of only one cylinder.

Specifications

Type	Lube, Non-lube	Air-hydro
Fluid	Air	L.P.Oil
Proof pressure	15kgf/cm ² {1.47MPa}	
Max. operating pressure	9.9kgf/cm ² {0.97MPa}	
Min. operating pressure	0.5kgf{0.05MPa}	1.0kgf{0.1MPa}
Ambient and fluid temperature	5~60° C	
Piston speed	50~500mm/s	0.5~300mm/s
Cushion	Air Cushion	Not Available
Stroke tolerance	~250 st : $^{+1.0}_0$, 251~1,000 st : $^{+1.4}_0$, 1,001~1,500 st : $^{+1.8}_0$	
Mounting	Basic, Foot, Front flange, Rear flange, Single clevis, Double clevis, Center trunnion	

Weight/Aluminum Tube(Iron Tube)

(kgf)

Bore size		φ 40	φ 50	φ 63	φ 80	φ 100
Basic Weight	Basic	0.89 (0.94)	1.36 (1.40)	2.00 (2.04)	3.48 (3.63)	4.87 (5.07)
	Foot	1.08 (1.13)	1.58 (1.62)	2.34 (2.38)	4.15 (4.30)	5.86 (6.06)
	Flange	1.26 (1.30)	1.81 (1.86)	2.79 (2.84)	4.93 (5.08)	6.79 (6.99)
	Single clevis	1.12 (1.17)	1.70 (1.74)	2.63 (2.67)	4.59 (4.74)	6.65 (6.68)
	Double clevis	1.16 (1.21)	1.79 (1.83)	2.79 (2.83)	4.88 (5.03)	7.17 (7.38)
	Trunnion	1.25 (1.35)	1.84 (1.94)	2.80 (3.00)	5.03 (5.32)	7.15 (7.54)
Additional weight per 2" stroke	All mounting bracket (except trunnion iron tube)	0.22 (0.28)	0.28 (0.35)	0.37 (0.43)	0.52 (0.70)	0.65 (0.87)
	Trunnion of iron tube	(0.36)	(0.46)	(0.65)	(0.86)	(1.07)
Accessories	Single knuckle	0.23	0.26	0.26	0.60	0.83
	Double knuckle(with pin)	0.37	0.43	0.43	0.87	1.27

※ In parenthesis are for Iron tube type.

Example

AML 40-100(Foot, φ 40, 100st)

- Basic weight 1.08kgf
 - Additional weight 0.22/50st
 - Cylinder stroke 100st
- $$1.08 + 0.22 \times 100 / 50 = 1.52 \text{kgf}$$

Series AM

Accessories

Mounting Description		Basic	Foot	Front Flange	Rear Flange	Single Clevis	Double Clevis	Center Trunnion
Standard	Rod End Nut	●	●	●	●	●	●	●
	Clevis Pin	—	—	—	—	—	●	—
Option	Single Knuckle Joint	●	●	●	●	●	●	●
	Double Knuckle Joint(With Pin)	●	●	●	●	●	●	●
	Gaiter	●	●	●	●	●	●	●

Parts No. Of Auto Switch Mounting Band

Switch Model	Parts No.	Applicable Bore Size(mm)
W3	TBT-04	φ 40
	TBT-04	φ 50
	TBT-06	φ 63
	TBT-08	φ 80
	TBT-08	φ 100

Base Material And Surface Treatment

Description	Material	Note
Cover	Aluminum Alloy	Silver Paint
Cylinder Tube	Aluminum Alloy	Hard Alumite
	Carbon Steel Tube	Inside/Hard Chrome Plated Outside/Platinum Silver
Seals areal	Lubricated	NBR PDU JIS B2401 O-ring
	Non-lube	NBR PDU, NLP
	Air-hydro	NBR SCB, SKY, SDA
Piston Rod	Carbon Steel	Hard Chrome Plated
Piston	Aluminum Alloy	Chromate

Gaiter/Material

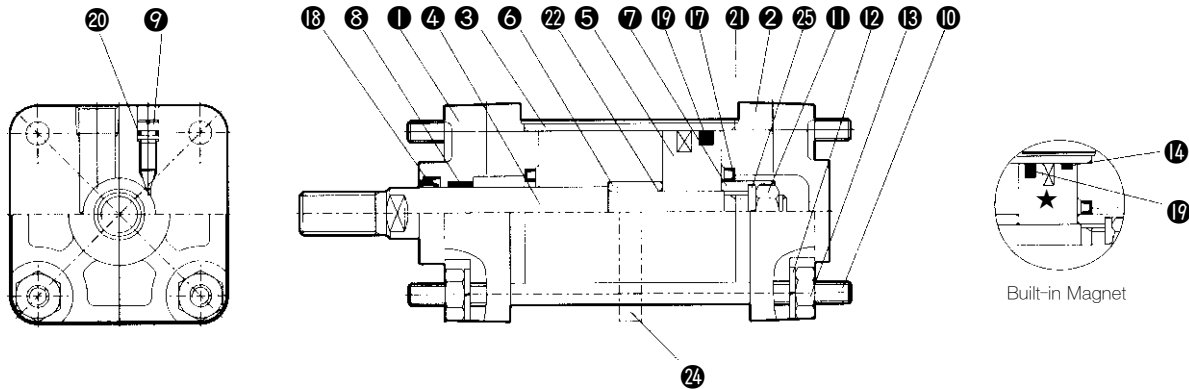
Symbol	Material	Max.Ambient Temperature
J	Nylon Tarpaulin	60℃
K	Neoprene Cloth	※ 110℃

※ For gaiter itself

Precautions

- ① When mounting, completely flush the piping and be careful that dust and chips do not enter the cylinder.
- ② Load of piston rod should always be aligned parallel with the cylinder axis.
- ③ Avoid damaging (scratches, nicks) on the piston rod, which would lead to damage of rod seal, resulting in air leakage.
- ④ (Lubrication)
Use non-additive turbine oil ISO-VG32.
Never use machine oil spindle oil.
- ⑤ (L. P. Oil)
Use ISO VG-22-46 or equivalent L. P. oil.
Never use machine oil or spindle oil.
- ⑥ Open air exhaust valve and completely let the inside air out before use.
- ⑦ In case you need cushion only on the air side, you don't have to specify the above. All you have to do is suffix R or H, and for others, follow "How to Order."

Construction



- ACP
- UACP
- AX
- AS
- AM**
- AL
- ACX
- UARD
- UAQ
- AJ
- AG
- UAG
- ADM
- ADR
- AMR
- UAMR
- AST
- W~

Parts List

NO.	Description	Material	Note
①	Rod cover	Aluminum alloy	Silver paint
②	Head cover	Aluminum alloy	Silver paint
③	※Cylinder tube	Aluminum alloy	Hard alumite
④	Piston rod	Carbon steel	Hard chrome plated
⑤	Piston	Aluminum alloy	Chromate
⑥	Cushion ring A	Rolled steel	Chromate
⑦	Cushion ring B	Rolled steel	Chromate
⑧	Bush	Lead bronze casting	-
⑨	Cushion Valve	Rolled steel	Chromate
⑩	Tie rod	Carbon steel	Zinc chromate
⑪	Piston nut	Rolled steel	Chromate
⑫	Spring washer	Steel wire	Black Zinc chromate
⑬	Tie rod nut	Rolled steel	Black Zinc chromate
⑭	Wearing	Resin	-
⑳	※Tie rod reinforcing ring	Cast iron	-
㉑	Spring washer	Steel wire	Zinc chromate

※ ㉑ Tie rod reinforcing ring : Available only for 1,000 stroke or more.
 ※ ③ In the case of Iron tube cylinder : Carbon steel tube, inside hard chrome plated.

Seals List

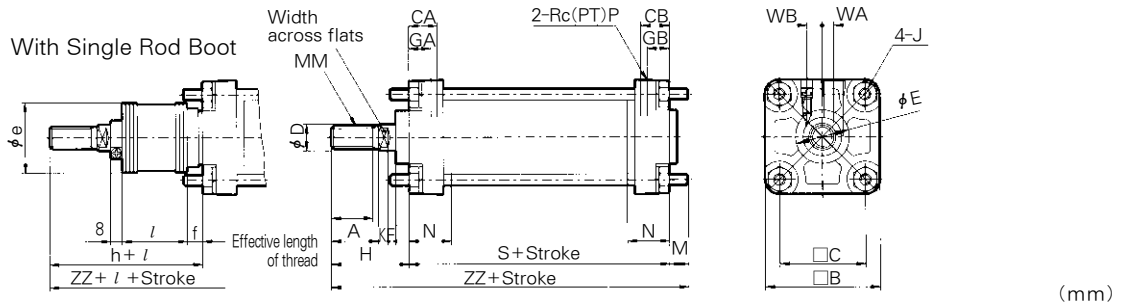
NO.	Description	Material	Parts. No.				
			40	50	63	80	100
Lube Type							
⑰	Cushion seal	NBR	DSM-20	DSM-25	DSM-25	DSM-30	DSM-35
⑱	Rod seal		PDU-16Z	PDU-20Z	PDU-20Z	PDU-25Z	PDU-30Z
⑲	Piston seal		P34	P44	P53	P70	P90
㉀	Cushion Valve seal		P3	P3	P3	P5	P5
㉁	Cylinder tube gasket		TC2A040-16-1486	TC2A050-16-1487	TC2A063-16-1488	TC2A080-16-1489	TC2A100-16-1490
㉂	Piston gasket	TCA40-1606	TCA63-1608	TCA63-1608	TCA80-1609	TCA100-1610	
Lube Type/Long Stroke							
⑲	Piston seal	NBR	NLP-40A	NLP-50A	NLP-63A	NLP-80A	NLP-100A
None-Lube Type Same as lube type except ⑲							
⑲	Piston seal	NBR	NLP-40A	NLP-50A	NLP-63A	NLP-80A	NLP-100A
Air-hydro Type Same as lube type except ⑱, ⑲ and ㉂							
⑱	Rod seal		SKY-16	SKY-20	SKY-20	SKY-25	SKY-30
⑲	Piston seal	NBR	SDA-40	SDA-50	SDA-63	SDA-80	SDA-100
㉃	Wiper ring		SCB-16	SCB-50	SCB-20	SCB-25	SCB-30

★ Magnet (Built-in Magnet)

Series AM

Basic Type/(B)

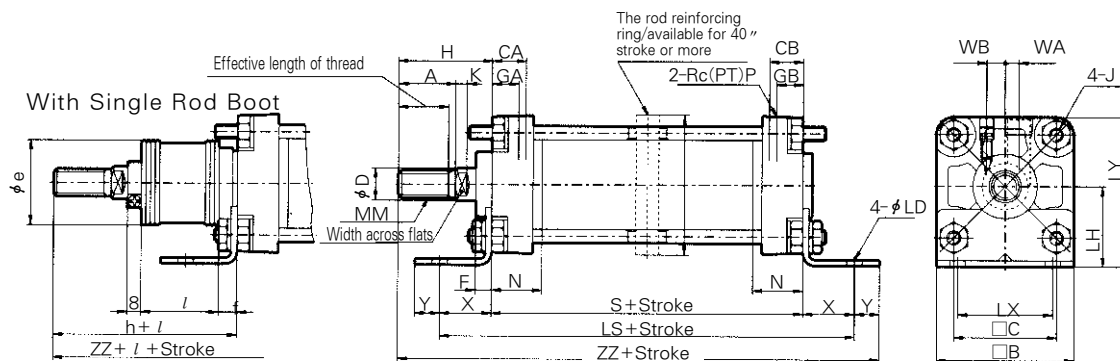
Lube Type(AMB, AMBF), Non-Lube Type(AMBN), Air-Hydro Type(AMBH)



Bore size (mm)	Stroke range(mm)		Effective length of thread	Width across flats	A		CA		CB		φD	φE	F	GA	GB	J	K	M	MM	N	P	S	WA	WB	Without Rod Boot		With Rod Boot			
	Without gaiter	With gaiter			□B	□C	□A	□B	φe	f															h	l	ZZ	H	ZZ	φe
φ40	~500	20~500	27	14	30	60	44	18	18	16	32	10	15	15	M8×1.25	6	11	M14×1.5	27	1/4	84	5	10.5	51	146	43	11.2	59	154	
φ50	~600	20~600	32	18	35	70	52	21	21	20	40	10	17	17	M8×1.25	7	11	M18×1.5	30	3/8	90	8	9.9	58	159	52	11.2	66	167	
φ63	~600	20~600	32	18	35	85	64	21	21	20	40	10	17	17	M10×1.25	7	14	M18×1.5	31	3/8	98	9	11.5	58	170	52	11.2	66	178	
φ80	~750	20~750	37	22	40	102	78	26	26	25	52	14	21	21	M12×1.75	11	17	M22×1.5	37	1/2	116	11	13	71	204	65	12.5	80	213	
φ100	~750	20~750	37	26	40	116	92	28	28	30	52	14	21	21	M12×1.75	11	17	M26×1.5	40	1/2	126	13	14	72	215	65	14	81	224	

Foot Type/(L)

Lube Type(AML, AMLF), Non-Lube Type(AMLN), Air-Hydro type(AMLH)



Bore size (mm)	Stroke range(mm)		Effective length of thread	A		CA		CB		φD	φE	F	GA	GB	J	K	MM	N	P	S	WA	WB
	Without Rod Boot	With Rod Boot		□B	□C	□A	□B	φe	f													
φ40	~500	20~500	27	30	60	44	18	18	16	32	10	15	15	M8×1.25	6	11	M14×1.5	27	1/4	84	5	10.5
φ50	~600	20~600	32	35	70	52	21	21	20	40	10	17	17	M8×1.25	7	11	M18×1.5	30	3/8	90	8	9.9
φ63	~600	20~600	32	35	85	64	21	21	20	40	10	17	17	M10×1.25	7	14	M18×1.5	31	3/8	98	9	11.5
φ80	~750	20~750	37	40	102	78	26	26	25	52	14	21	21	M12×1.75	11	17	M22×1.5	37	1/2	116	11	13
φ100	~750	20~750	37	40	116	92	28	28	30	52	14	21	21	M12×1.75	11	17	M26×1.5	40	1/2	126	13	14

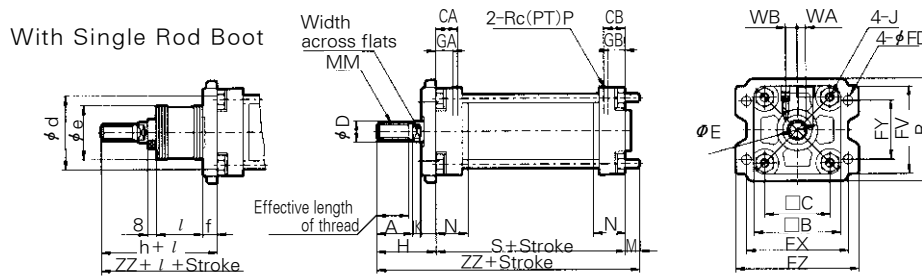
Bore size (mm)	X	Y	φLD	LH	LS	LT	LX	LY	Without Rod Boot		With Rod Boot			
									H	ZZ	φe	f	h	l
φ40	27	13	9.0	40	138	3.2	42	70	51	175	43	11.2	59	183
φ50	27	13	9.0	45	144	3.2	50	80	58	188	52	11.2	66	196
φ63	34	16	11.5	50	166	3.2	59	93	58	206	52	11.2	66	214
φ80	44	16	13.5	65	204	4.5	76	116	71	247	65	12.5	80	256
φ100	43	17	13.5	75	212	6.0	92	133	72	258	65	14.0	81	267

Long Stroke Type

Bore size (mm)	Stroke range (mm)	RT	RY
φ40	501~800	—	—
φ50	601~1200	30	76
φ63	601~1200	40	92
φ80	751~1400	45	112
φ100	751~1500	50	136

Front Flange/(F)

Long Type(AMF, AMFF), Non-Lube Type(AMFN), Air-Hydro Type(AMFH)

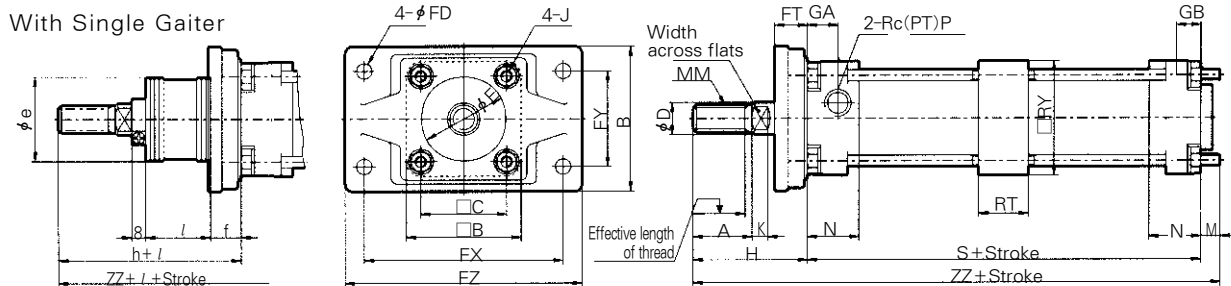


Bore size (mm)	Stroke range(mm)		Effective length of thread	A	B	□B	□C	CA	CB	φD	φE	GA	GB	J	K	M	MM	N	P	S	WA	WB
	Without Rod Boot	With Rod Boot		□B	□C	CA	CB	φD	φE	GA	GB	J	K	M	MM	N	P	S	WA	WB		
φ40	~800	20~800	27	30	71	60	44	18	18	16	32	15	15	M8×1.25	6	11	M14×1.5	27	1/4	84	5	10.5
φ50	~1,000	20~1,000	32	35	81	70	52	21	21	20	40	17	17	M8×1.25	7	11	M18×1.5	30	3/8	90	8	9.9
φ63	~1,000	20~1,000	32	35	101	85	64	21	21	20	40	17	17	M10×1.25	7	14	M18×1.5	31	3/8	98	9	11.5
φ80	~1,000	20~1,000	37	40	119	102	78	26	26	25	52	21	21	M12×1.75	11	17	M22×1.5	37	1/2	116	11	13
φ100	~1,000	20~1,000	37	40	133	116	92	28	28	30	52	21	21	M12×1.75	11	17	M26×1.5	40	1/2	126	13	14

Bore size (mm)	FV	φFD	FT	FX	FY	FZ	Without Rod Boot		With Rod Boot						
	H	ZZ	★φd	φe	f	h	l	ZZ	★φe	f	h	l	ZZ		
φ40	60	9.0	12	80	42	100	51	146	52	43	15	59	1/4 Stroke	154	
φ50	70	9.0	12	90	50	110	58	159	58	52	15	66		167	
φ63	86	11.5	15	105	59	130	58	170	58	52	17.5	66		178	
φ80	102	13.5	18	130	76	160	71	204	80	65	21.5	80		213	
φ100	116	13.5	18	150	92	180	72	215	80	65	21.5	81		224	

★ Hole diameter of Rod Boot to mount Air-cylinder should be larger than the outside diameter of gaiter mounting bracket φd.

Long Stroke(1001 Stroke or more)



Bore size (mm)	Stroke range (mm)	Effective length of thread	A	B	□B	□C	φD	φE	GA	GB	J	K	M	MM	N	P	S	WA	WB
			φ50	1,001~1,200	32	35	88	70	52	20	40	17	17	M8×1.25	7	6	M18×1.5	30	3/8
φ63	1,001~1,200	32	35	105	85	64	20	40	17	17	M10×1.25	7	10	M18×1.5	31	3/8	98	9	11.5
φ80	1,001~1,400	37	40	124	102	78	25	52	21	21	M12×1.75	11	12	M22×1.5	37	1/2	116	11	13
φ100	1,001~1,500	37	40	140	116	92	30	52	21	21	M12×1.75	11	12	M26×1.5	40	1/2	126	13	14

Bore size (mm)	φFD	FT	FX	FY	FZ	RT	RY	Without Rod Boot		With Rod Boot						
	H	ZZ	★φe	f	h	l	ZZ	★φe	f	h	l	ZZ				
φ50	9.0	20	120	58	144	30	76	67	163	52	19	66	1/4 Stroke	162		
φ63	11.5	23	140	64	170	40	92	71	179	52	19	66		174		
φ80	13.5	28	164	84	198	45	112	87	215	65	21	80		208		
φ100	13.5	29	180	100	220	50	136	89	227	65	21	81		219		

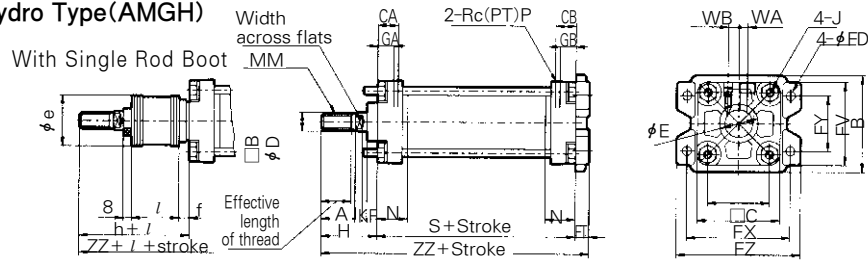
★ Hole diameter of rod boot to mount Air-cylinder should be larger than the outside diameter of rod boot mounting bracket φe.

- ACP
- UACP
- AX
- AS
- AM
- AL
- ALX
- UARD
- UAQ
- AJ
- AG
- UAG
- ADM
- ADR
- AMR
- UAMR
- AST
- W~

Series AM

Rear Flange/(G)

Lube Type(AMG, AMGF), Non-Lube Type(AMGN), Air-Hydro Type(AMGH)

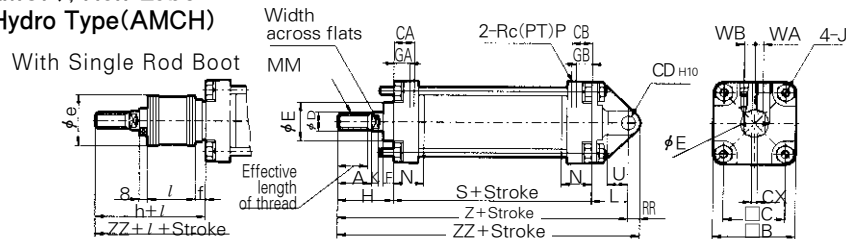


Bore size (mm)	Stroke range		Effective length of thread	A	B	□B	□C	CA	CB	φD	φE	F	GA	GB	J	K	MM	N	P	S	WA	WB
	Without Rod Boot	With Rod Boot																				
φ40	~500	20~500	27	30	71	60	44	18	18	16	32	10	15	15	M8×1.25	6	M14×1.5	27	1/4	84	5	10.5
φ50	~600	20~600	32	35	81	70	52	21	21	20	40	10	17	17	M8×1.25	7	M18×1.5	30	3/8	90	8	9.9
φ63	~600	20~600	32	35	101	85	64	21	21	20	40	10	17	17	M10×1.25	7	M18×1.5	31	3/8	98	9	11.5
φ80	~750	20~750	37	40	119	102	78	26	26	25	52	14	21	21	M12×1.75	11	M22×1.5	37	1/2	116	11	13
φ100	~750	20~750	37	40	133	116	92	28	28	30	52	14	21	21	M12×1.75	11	M26×1.5	40	1/2	126	13	14

Bore size (mm)	FV	φFD	FT	FX	FY	FZ	Without Rod Boot		With Rod Boot				
							H	ZZ	φe	f	h	l	ZZ
φ40	60	9.0	12	80	42	100	51	147	43	11.2	59	1/4 Stroke	155
φ50	70	9.0	12	90	50	110	58	160	52	11.2	66		168
φ63	86	11.5	15	105	59	130	58	171	52	11.2	66		179
φ80	102	13.5	18	130	76	160	71	205	65	12.5	80		214
φ100	116	13.5	18	150	92	180	72	216	65	14.0	81		225

Single Clevis/(C)

Lube Type(AMC, AMCF), Non-Lube Type(AMCN), Air-Hydro Type(AMCH)



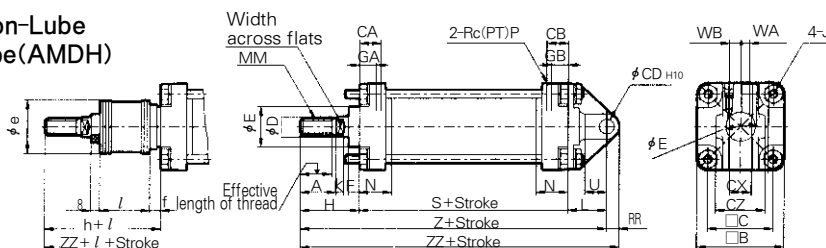
Bore size (mm)	Stroke range		Effective length of thread	A	□B	□C	CA	CB	φD	φE	F	GA	GB	J	K	L	MM	N	P	S	WA	WB
	Without Rod Boot	With Rod Boot																				
φ40	~500	20~500	27	30	60	44	18	18	16	32	10	15	15	M8×1.25	6	30	M14×1.5	27	1/4	84	5	10.5
φ50	~600	20~600	32	35	70	52	21	21	20	40	10	17	17	M8×1.25	7	35	M18×1.5	30	3/8	90	8	9.9
φ63	~600	20~600	32	35	85	64	21	21	20	40	10	17	17	M10×1.25	7	40	M18×1.5	31	3/8	98	9	11.5
φ80	~750	20~750	37	40	102	78	26	26	25	52	14	21	21	M12×1.75	11	48	M22×1.5	37	1/2	116	11	13
φ100	~750	20~750	37	40	116	92	28	28	30	52	14	21	21	M12×1.75	11	58	M26×1.5	40	1/2	126	13	14

Bore size (mm)	RR	U	φCD ^{H10}	CX	Without Rod Boot			With Rod Boot					
					H	Z	ZZ	φe	f	h	l	Z	ZZ
φ40	10	16	10 ^{+0.058/0}	15.0 ^{-0.1/-0.3}	51	165	175	43	11.2	59	1/4 Stroke	173	183
φ50	12	19	12 ^{+0.070/0}	18.0 ^{-0.1/-0.3}	58	183	195	52	11.2	66		191	203
φ63	16	23	16 ^{+0.070/0}	25.0 ^{-0.1/-0.3}	58	196	212	52	11.2	66		204	220
φ80	20	28	20 ^{+0.084/0}	31.5 ^{-0.1/-0.3}	71	235	255	65	12.5	80		244	264
φ100	25	36	25 ^{+0.084/0}	35.5 ^{-0.1/-0.3}	72	256	281	65	14.0	81		265	290

Double Clevis Type/(D)

Lube type(AMD, AMDF), Non-Lube Type(AMDN), Air-Hydro Type(AMDH)

With Single Rod Boot



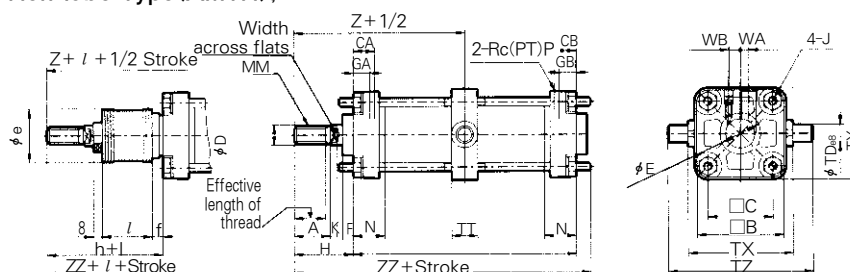
Bore size (mm)	Stroke range		Effective length of thread	A	□B	□C	CA	CB	φD	φE	F	GA	GB	J	K	L	MM	N	P	S	WA	WB
	Without Rod Boot	With Rod Boot																				
φ40	~500	20~500	27	30	60	44	18	18	16	32	10	15	15	M8×1.25	6	30	M14×1.5	27	1/4	84	5	10.5
φ50	~600	20~600	32	35	70	52	21	21	20	40	10	17	17	M8×1.25	7	35	M18×1.5	30	3/8	90	8	9.9
φ63	~600	20~600	32	35	85	64	21	21	20	40	10	17	17	M10×1.25	7	40	M18×1.5	31	3/8	98	9	11.5
φ80	~750	20~750	37	40	102	78	26	26	25	52	14	21	21	M12×1.75	11	48	M22×1.5	37	1/2	116	11	13
φ100	~750	20~750	37	40	116	92	28	28	30	52	14	21	21	M12×1.75	11	58	M26×1.5	40	1/2	126	13	14

Bore size (mm)	RR	U	φCD _{H10}	CX	CZ	Without Rod Boot			With Rod Boot					
						H	Z	ZZ	φe	f	h	l	Z	ZZ
φ40	10	16	10	15.0 ^{+0.3} ₀	29.5	51	165	175	43	11.2	59	1/4 Stroke	173	183
φ50	12	19	12	18.0 ^{+0.3} ₀	38	58	183	195	52	11.2	66		191	203
φ63	16	23	16	25.0 ^{+0.3} ₀	49	58	196	212	52	11.2	66		204	220
φ80	20	28	20	31.5 ^{+0.3} ₀	61	71	235	255	65	12.5	80		244	264
φ100	25	36	25	35.5 ^{+0.3} ₀	64	72	256	281	65	14.0	81		265	290

Center Trunnion Type/(T)

Lube Type(AMT, AMTF), Non-lube Type(AMTN), Air-hydro type(AMTH)

With Single Rod Boot



Bore size (mm)	Stroke range		Effective length of thread	A	□B	□C	CA	CB	φD	φE	F	GA	GB	J	K	MM	N	P	S	WA	WB
	Without Rod Boot	With Rod Boot																			
φ40	~500	20~500	27	30	60	44	18	18	16	32	10	15	15	M8×1.25	6	M14×1.5	27	1/4	84	5	10.5
φ50	~600	20~600	32	35	70	52	21	21	20	40	10	17	17	M8×1.25	7	M18×1.5	30	3/8	90	8	9.9
φ63	~600	20~600	32	35	85	64	21	21	20	40	10	17	17	M10×1.25	7	M18×1.5	31	3/8	98	9	11.5
φ80	~750	20~750	37	40	102	78	26	26	25	52	14	21	21	M12×1.75	11	M22×1.5	37	1/2	116	11	13
φ100	~750	20~750	37	40	116	92	28	28	30	52	14	21	21	M12×1.75	11	M26×1.5	40	1/2	126	13	14

Bore size (mm)	φTDe8	TT	TX	TY	TZ	Without Rod Boot			With Rod Boot						
						H	Z	ZZ	φe	f	h	l	Z	ZZ	
φ40	15	-0.032	22	85	62	117	51	93	140	43	11.2	59	1/4 Stroke	101	148
φ50	15	-0.032	22	95	74	127	58	103	154	52	11.2	66		111	162
φ63	18	-0.032	28	110	90	148	58	107	162	52	11.2	66		115	170
φ80	25	-0.040	34	140	110	192	71	129	194	65	12.5	80		138	203
φ100	25	-0.040	40	162	130	214	72	135	206	65	14.0	81		144	215

- ACP
- UACP
- AX
- AS
- AM
- AL
- ALX
- UARD
- UAQ
- AJ
- AG
- UAG
- ADM
- ADR
- AMR
- UAMR
- AST
- W~

Series **AMK**

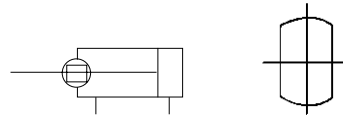
Non-Rotating Piston Rod Type

Non-Lube Type / ϕ 40, ϕ 50, ϕ 63



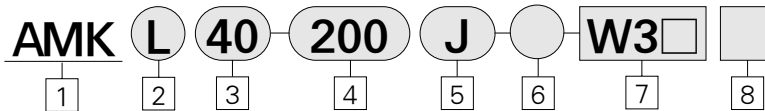
- HIGH NON-ROTATING ACCURACY/ $\pm 0.5^\circ$
- SAME MOUNTING DIMENSION AS OUR STANDARD TYPE
- AUTO SWITCH CAN BE MOUNTED (TIE ROD MOUNT TYPE)
- NON-LUBRICATED OPERATION POSSIBLE

Symbol



Piston Rod cross section

How to Order



1 Non-Rotating Piston-Rod Type Series (Built-in Magnet)

2 Mounting

3 Bore Size

4 Stroke

5 With Rod Boot

6 Order Made Option

7 Applicable Auto Switch

8 Number of Switch

Specification

Fluid	Air
Proof pressure	15kgf/cm ² {1.47MPa}
Max.operating pressure	9.9kgf/cm ² {0.97MPa}
Min.operating pressure	0.5kgf/cm ² {0.5MPa}
Ambient and fluid temperature	5~60℃
Piston speed	50~500mm/s
Cushion	Air Cushion
Stroke tolerance	ϕ 40:25~500 st : $^{+1.4}_0$, ϕ 50, ϕ 63:25~600 st : $^{+1.4}_0$
Allowable rotational torque	$\pm 0.5^\circ$
Lubrication	Not required
Bore size(mm)	ϕ 40, ϕ 50, ϕ 63,
Basic, Foot, front flange, Mounting	Basic, Foot, front flange, Rear flange, single clevis, Double clevis, Center trunnion

※ Other how to Order:
Same as that of Series AM/How to Order(Refer to page A-126)

ACP

UACP

AX

AS

AM

AL
ALX

UARD

UAQ

AJ

AG

UAG

ADM

ADR

AMR

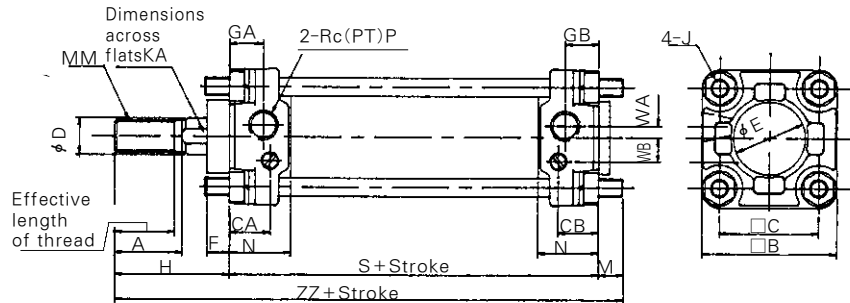
UAMR

AST

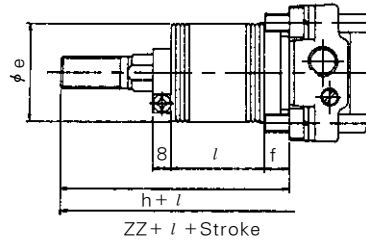
W~

Serise AMK

Basic Type(B)



With Single Rod Boot



Bore size (mm)	Stroke range		Effective length of thread	A	$\square B$	$\square C$	CA	CB	ϕD	ϕE	F	GA	GB	J	KA	MM	N	P	S	WA	WB
	Without Rod Boot	With Rod Boot																			
$\phi 40$	~500	20~500	27	30	60	44	18	18	16	32	10	15	15	M8×1.25	14	M14×1.5	27	1/4	84	5	10.5
$\phi 50$	~600	20~600	32	35	70	52	21	21	20	40	10	17	17	M8×1.25	18	M18×1.5	30	3/8	90	8	9.9
$\phi 63$	~600	20~600	32	35	85	64	21	21	20	40	10	17	17	M10×1.25	18	M18×1.5	31	3/8	98	9	11.5

Bore size (mm)	Without Rod Boot		With Rod Boot				
	H	ZZ	ϕe	f	h	l	ZZ
$\phi 40$	51	146	43	11.2	59		154
$\phi 50$	58	159	52	11.2	66	1/4 Stroke	167
$\phi 63$	58	170	52	11.2	66		178

Series AMW

Double Rod End Type

Bore size / $\phi 40$, $\phi 50$, $\phi 63$, $\phi 80$, $\phi 100$

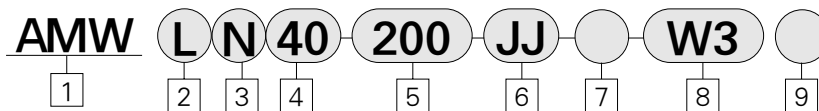


- DOUBLE ROD END TYPE CYLINDER
- LONG LIFE, HIGH SPEED OPERATION POSSIBLE
- NON-LUBRICATED OPERATION POSSIBLE
- AUTO SWITCH CAN BE MOUNTED (TIE ROD MOUNT TYPE)

Symbol



How to Order



1 Double Rod End Cylinder Built-in Magnet

2 Mounting

3 Type

Blank : Lubricated
N : Non-lube
H : Air-hydro

4 Bore Size

5 Stroke

6 Rod Boot

J : Nylon tarpaulin(Single gaiter)
JJ : Nylon tarpaulin(Double gaiter)
K : Neoprene cloth(Single gaiter)
KK : Neoprene cloth(Double gaiter)

7 Order Made Option

8 Applicable Auto Switch

9 Number of Switch

Cylinder Stroke (mm)

Bore Size	Standard Stroke
$\phi 40$	25, 50, 75, 100, 125, 150, 175, 200, 250, 300, 350, 400, 450, 500
$\phi 50$	25, 50, 75, 100, 125, 150, 175, 200, 250, 300, 350, 400, 450, 500, 600
$\phi 63$	25, 50, 75, 100, 125, 150, 175, 200, 250, 300, 350, 400, 450, 500, 600
$\phi 80$	25, 50, 75, 100, 125, 150, 175, 200, 250, 300, 350, 400, 450, 500, 600, 700
$\phi 100$	25, 50, 75, 100, 125, 150, 175, 200, 250, 300, 350, 400, 450, 500, 600, 700

※ Other how to Order:

Same as that of Series AM/How to Order(Refer to page A-126)

ACP

UACP

AX

AS

AM

AL
ALX

UARD

UAQ

AJ

AG

UAG

ADM

ADR

AMR

UAMR

AST

W~

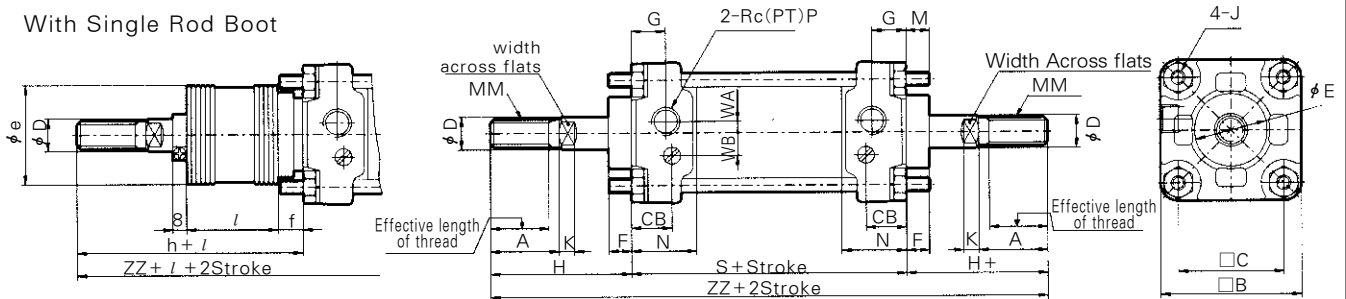
Specifications

Type	Lube-Non-lube	Air-hydro
Fluid	Air	L.P.Oil
Proof pressure	15kgf/cm ² {1,500kPa}	
Max.operating pressure	9.9kgf/cm ² {990kPa}	
Min.operating pressure	0.8kgf/cm ² {80kPa}	1.6kgf/cm ² {160kPa}
Piston speed	50~500mm/s	0.5~300mm/s
Ambient and fluid temperature	5~60°C	
Cushion	Both side	None
Stroke tolerance	~250 st : ± 0.1 , 251~750 st : ± 0.15	
Mounting	Basic, Foot, Flange, Center trunnion	

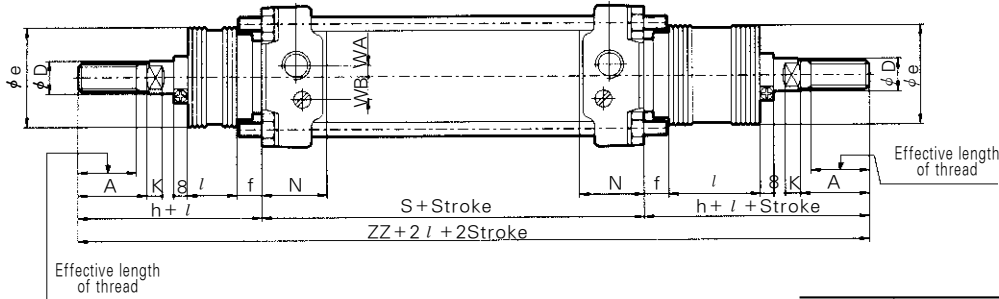
Basic Type/(B)

Lube Type(AMWB), Non-Lube Type(AMWBN), Air-Hydro Type(AMWBH)

With Single Rod Boot



With Double Rod Boot



Bore size (mm)	Without Rod Boot		With Rod Boot(Single)					(Double)	
	H	ZZ	ϕe	f	h	l	ZZ	ZZ	
$\phi 40$	51	186	43	11.2	59	1/4 Stroke	194	202	
$\phi 50$	58	206	52	11.2	66		214	222	
$\phi 63$	58	214	52	11.2	66		222	230	
$\phi 80$	71	258	65	12.5	80		267	276	
$\phi 100$	72	270	65	14.0	81		279	288	

Bore size (mm)	Stroke range(mm)		Effective length of thread	A	$\square B$	$\square C$	CA	CB	ϕD	ϕE	F	G	J	K	M	MM	N	P	S	WA	WB
	Without Rod Boot	With Rod Boot																			
$\phi 40$	~500	20~500	27	30	60	44	18	18	16	32	10	15	M8×1.25	6	11	M14×1.5	27	1/4	84	5	10.5
$\phi 50$	~600	20~600	32	35	70	52	21	21	20	40	10	17	M8×1.25	7	11	M18×1.5	30	3/8	90	8	9.9
$\phi 63$	~600	20~600	32	35	85	64	21	21	20	40	10	17	M10×1.25	7	14	M18×1.5	31	3/8	98	9	11.5
$\phi 80$	~750	20~750	37	40	102	78	26	26	25	52	14	21	M12×1.75	11	17	M22×1.5	37	1/2	116	11	13
$\phi 100$	~750	20~750	37	40	116	92	28	28	30	52	14	21	M12×1.75	11	17	M26×1.5	40	1/2	126	13	14

Adjustable Stroke Cylinder/Extension adjustable Type

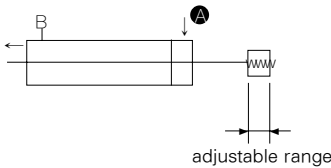
AM **Mounting** **Type** **Bore size** **Stroke** **Rod Boot** **Stroke Additional symbol** — XC8

ROD BOOT ●
 Blank — Without Rod Boot
 J — With Rod Boot(Nylon tarpaulin)
 K — With Rod Boot(Neoprene cloth)

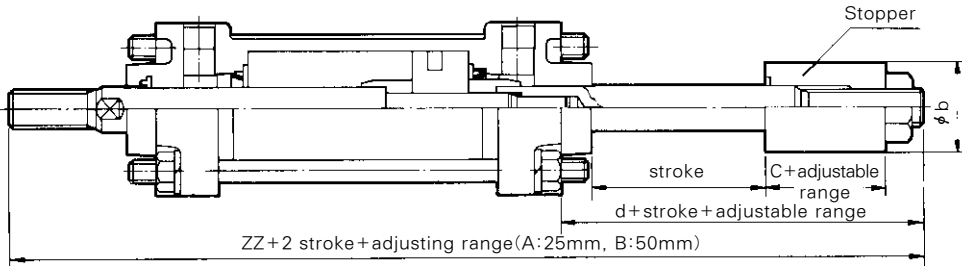
● **Stroke Additional symbol**
 A — Stroke adjusting range 0~25mm
 B — Stroke adjusting range 0~50mm

The stroke at extend of the cylinder can be adjusted by the stopper in the head side from full stroke 0~25mm or 0~50mm

Symbol



Construction/Dimensions



Bore size	φb	c	d	ZZ
φ 40	φ 32	22	46	181
φ 50	φ 42	28	58.5	206.5
φ 63		28	54	210
φ 80	φ 55	35	70	257
φ 100		35	70	268

※ Other dimensions are the same as for standard type

- ACP
- UACP
- AX
- AS
- AM**
- AL
- ALX
- UARD
- UAQ
- AJ
- AG
- UAG
- ADM
- ADR
- AMR
- UAMR
- AST
- W~

Order Made Option

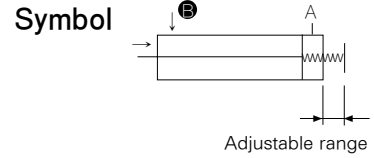
Adjustable Stroke Cylinder/Retraction adjustable Type

AM **Mounting** **Type** **Bore size** **Stroke** **Rod Boot** **Stroke Additional symbol** — XC9

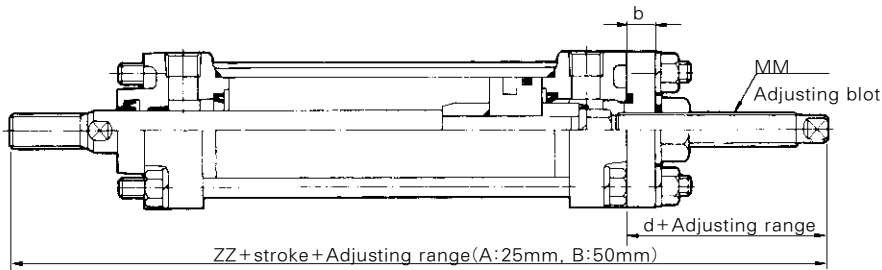
Additional symbol ●
 Blank—Without Rod Boot
 J —With Rod Boot (Nylon tarpaulin)
 K —With Rod Boot (Neoprene cloth)

● Stroke Additional symbol
 A—Stroke adjusting range 0~25mm
 B—Stroke adjusting range 0~50mm

The stroke at retraction of the cylinder can be adjusted from 0~25mm or 0~50mm by the adjusting bolt.



Construction/Dimensions



Bore Size	MM	b	d	ZZ
φ 40	M16×1.5	9	43	178
φ 50	M16×1.5	11	44	192
φ 63	M20×1.5	11	48	204
φ 80	M24×1.5	15	59	246
φ 100	M24×1.5	15	57	255

※ Other dimensions are the same as for standard type

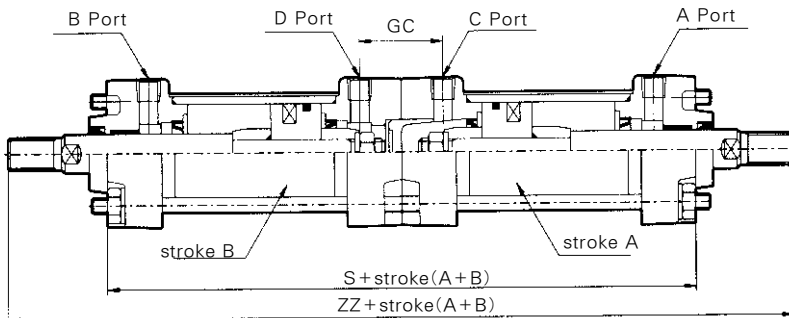
DUAL Stroke Cylinder/Double Rod Type

AM **Mounting** **Type** **Bore size** **Stroke A** **Rod Boot** + **Stroke B** **Rod Boot** — XC10

● Additional symbol
 Blank—Without Rod Boot
 J—With Rod Boot (Nylon tarpaulin)
 K—With Rod Boot (Neoprene cloth)

Two cylinders are constructed as one cylinder in a back-to-back configuration allowing the cylinder stroke to be controlled in three steps.

Construction/Dimensions



Bore size	GC	S	ZZ
φ 40	29	167	269
φ 50	33	179	295
φ 63	33	195	311
φ 80	41	231	373
φ 100	41	251	395

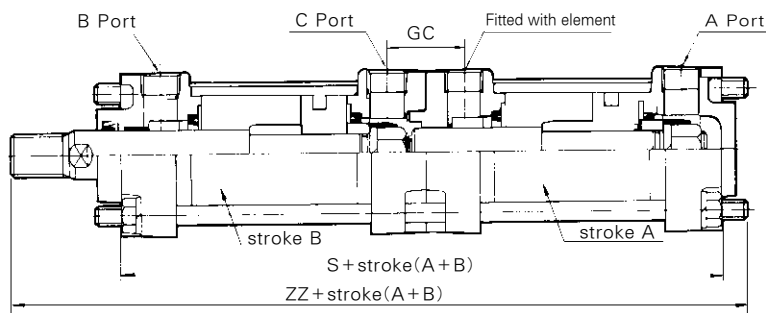
※ Other dimensions are the same as for standard type.

DUAL Stroke Cylinder/Single Rod Type

AM **Mounting** **Type** **Bore size** **Stroke A** + **StrokeB-A** **Rod Boot** - XC11

- Additional symbol
- Blank - Without Rod Boot
- J - With Rod Boot (Nylon tarpaulin)
- K - With Rod Boot (Neoprene cloth)

Construction/Dimensions



Bore size	GC	S	ZZ
φ 40	29	168	230
φ 50	33	180	249
φ 63	33	196	268
φ 80	41	232	320
φ 100	41	252	341

※ Other dimensions are the same as for standard type.

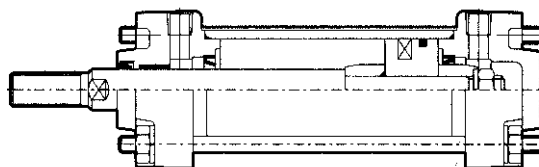
With Scraper

AM **Mounting** **Type** **Bore size** **Stroke** - XC4

Specifications

Type	Lube, Non-Lube
Applicable cylinder bore size	φ 40, φ 50, φ 63, φ 80, φ 100
Max.operating pressure	9.9kgf/cm ² {990kPa}
Min.operating pressure	0.5kgf/cm ² {50kPa}
Cushion	Air cushion(Standard)
Wiper ring	Material:SCB
Mounting	Basic type, Axial foot type, Rod side flange type, head side flange type, Single clevis type, Double clevis type, center trunnion

Construction



※ Dimensions are the same as for standard type.

ACP

UACP

AX

AS

AM

AL
ALX

UARD

UAQ

AJ

AG

UAG

ADM

ADR

AMR

UAMR

AST

W~

Order Made Option

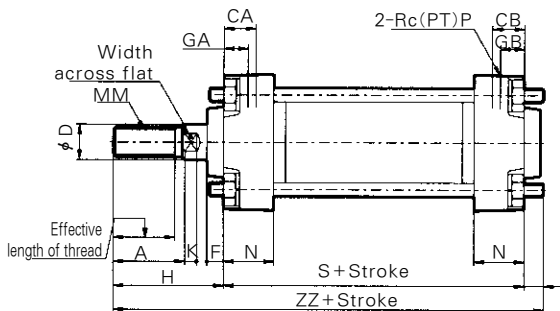
Over Sized Rod

AM (Mounting Type) (Bore size) (Stroke) (Suffix) XB5

The Piston Rod for the cylinder has larger diameter and increased intensity. In addition the stroke is long and this cylinder can be used in the cases of existing applications for bent Piston Rods.

Type	Lube, Non-lube				
Bore size(mm)	φ 40	φ 50	φ 63	φ 80	φ 100
Piston rod diameter(mm)	φ 20	φ 25	φ 25	φ 30	φ 36

Construction/Dimensions

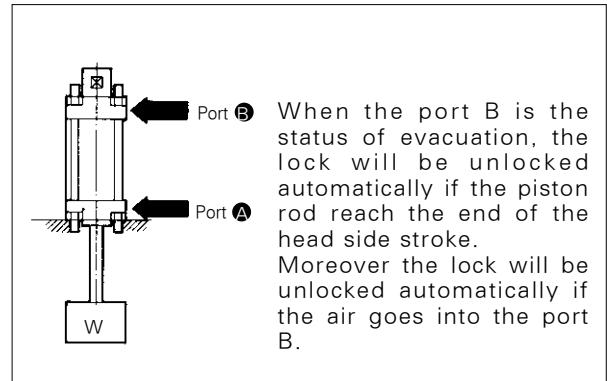


Bore size(mm)	A	φD	K	MM	P	H	ZZ
40	35	20	7	M18×1.5	1/4	58	153
50	40	25	11	M22×1.5	3/8	71	172
63	40	25	11	M22×1.5	3/8	71	183
80	40	30	11	M26×1.5	1/2	72	205
100	50	36	15	M30×1.5	1/2	85	228

※ Other dimensions are the same as for Series AM standard type.

End Lock Cylinder

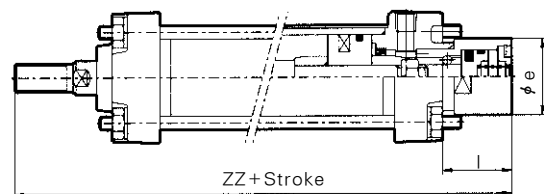
AM (Mounting Type) (Bore size) (Stroke) (Suffix) X105



Specifications

Type	Lube, Non-lube
Bore size	φ 40, φ 50, φ 63, φ 80, φ 100
Cushion	Air Cushion
Action	Double Acting
Retaining force	φ 40: 20kgf, φ 50~φ 100: 150kgf
Lock start pressure	0.5kgf/cm ² (0.05MPa)
Lock release pressure	2kgf/cm ² (0.2MPa)
Mounting	Basic, Foot, Flange, Center trunnion

Construction/Dimensions



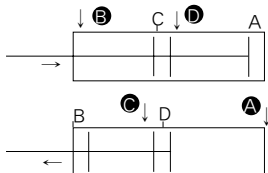
Bore size	φe	l	ZZ
φ 40	34	31	166.0
φ 50	48	47.5	195.5
φ 63	48	47.5	203.5
φ 80	50	47.0	234.0
φ 100	50	49.0	247.0

Tandem Type Air Cylinder

AM (Mounting) (Type) (Bore size) (Stroke) (Suffix) - XC12

This cylinder is produced with two air cylinders in line allowing double the output force.

Symbol



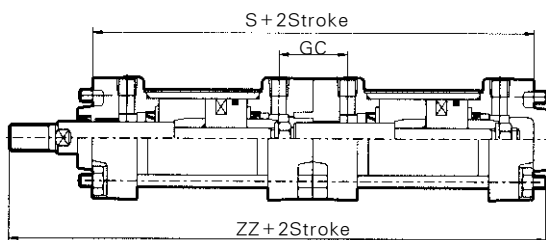
When air pressure is supplied to ports B and D, the output force is doubled in the return stroke.

When air pressure is supplied to ports A and C, the output force is doubled in the extend stroke.

Specifications

Type	Lube, Non-lube
Bore size	φ 40, φ 50, φ 63, φ 80, φ 100
Max. operating pressure	9.9kgf/cm ² {0.97MPa}
Min. operating pressure	1kgf/cm ² {0.1MPa}
Cushion	Air cushion (Standard)
Action	Double Acting
Mounting	Basic type, Foot type, Rod side flange type, Head side flange type, Single clevis type, Double clevis type

Construction



Bore size	GC	S	ZZ
φ 40	29	169	231
φ 50	33	181	250
φ 63	33	197	269
φ 80	41	233	321
φ 100	41	253	342

High Temperature Cylinder

AM (Mounting) N (Bore size) (Stroke) (Suffix) - XB6

Can be used at high temperature up to 150°C

Specifications

Type	Non-lube
Bore size	φ 40, φ 50, φ 63, φ 80, φ 100
Ambient and media temperature	-20~+150°C
Seal material	FPM

* Auto-switch capable not available

Stainless Steel Rod

AM (Mounting) (Type) (Bore size) (Stroke) (Suffix) - XC6

Stainless steel piston rod is used to protect in harsh or wet environment.

Auto-switch mounting available

Specifications

Type	Lube, Non-lube, Air-hydro
Bore size	φ 40, φ 50, φ 63, φ 80, φ 100
Piston rod nut material	Stainless steel (SUS 304)

With Coil Scraper

AM (Mounting) (Type) (Bore size) (Stroke) (Suffix) - X104

Cushion ●
 Blank - Both End
 R - Rod End
 H - Head End
 N - Without cushion

ACP

UACP

AX

AS

AM

AL
ALX

UARD

UAQ

AJ

AG

UAG

ADM

ADR

AMR

UAMR

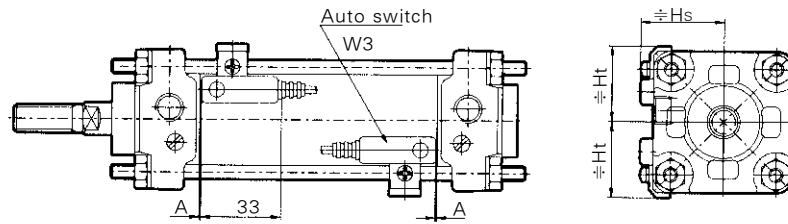
AST

W~

Series AM

Auto Switch Mounting Position (At stroke End)

W3



Auto s/w model	Auto s/w mounting position	Auto s/w placement dimensions(mm)				
		φ 40	φ 50	φ 63	φ 80	φ 100
W3	A	0(0)	0(0)	0(2.5)	2(6)	4(7.5)
	B	1(0)	1(0)	5(1.5)	8(4)	10(6.5)
	±Hs	40	43.5	49	55.5	63
	±Ht	31	35	42	50	57.5

※ () in parenthesis are for long stroke, non-lube type and air-hydro type, but long stroke is available only for foot type and front flange type in the series AM

Minimum Auto Switch Mountable Stroke

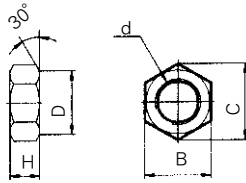
Minimum auto switch mountable stroke is as follows.

Auto switch model	No. of Auto switch	Mounting bracket except trunnion	Center trunnion			
			φ 40, φ 50	φ 63	φ 80	φ 100
W3	With 2 switch (different, same surface) with 1 switch	15	90	100	110	120
	With n switches (same surface)	$15 + 55 \left(\frac{n-2}{2} \right)$ n=1, 2, 3, 4, ...	$90 + 100 \left(\frac{n-4}{2} \right)$ n=4, 8, 12, 16, ...	$100 + 55 \left(\frac{n-4}{2} \right)$ n=4, 8, 12, 16, ...	$110 + 55 \left(\frac{n-4}{2} \right)$ n=4, 8, 12, 16, ...	$120 + 55 \left(\frac{n-4}{2} \right)$ n=4, 8, 12, 16, ...

n: No. of auto switch

Series AM

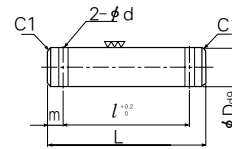
Rod End Nut(Standard accessories)



Material : Rolled steel

Part No.	Applicable bore	d	H	B	C	D
TNT-04	φ 40	M14×1.5	8	22	25.4	21
TNT-05	φ 50 · φ 60	M18×1.5	11	27	31.2	26
TNT-08	φ 80	M22×1.5	13	32	37.0	31
TNT-10	φ 100	M26×1.5	16	41	47.3	39

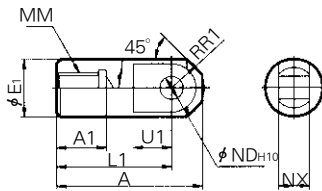
Knuckle Joint Pin/Clevis Pin



Material : Carbon steel

Part No	Bore Size		φ Dd9	L	l	m	φ d	Applicable split pin φ × l
	CLEVIS	KNUCKLE						
TCDP-2	φ 40	—	10 ^{-0.040/-0.076}	45.2	37.2	4	φ 3	φ 3 × 18 l
TCDP-3	φ 50	φ 40 · φ 60	12 ^{-0.050/-0.093}	54.3	46.3	4	φ 3	φ 3 × 18 l
TCDP-4	φ 63	—	16 ^{-0.050/-0.093}	70	60	5	φ 4	φ 4 × 24 l
TCDP-5	—	φ 80	18 ^{-0.040/-0.076}	76	66	5	φ 4	φ 4 × 25 l
TCDP-6	φ 80	φ 100	20 ^{-0.065/-0.117}	82	72	5	φ 4	φ 4 × 36 l
TCDP-7	φ 100	—	25 ^{-0.065/-0.117}	87.5	77.5	5	φ 4	φ 4 × 36 l

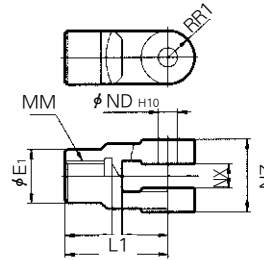
I Type Single Knuckle Joint



Material : Free cutting sulfur steel

Part No.	Applicable bore	A	A1	φ E1	L1	MM	R1	U1	φ ND _{H10}	NX
TI-04	φ 40	69	22	24	55	M14×1.5	15.5	20	12	16 ^{-0.1/-0.3}
TI-05	φ 50 · φ 63	74	27	28	60	M18×1.5	15.5	20	12	16 ^{-0.1/-0.3}
TI-08	φ 80	91	37	36	71	M22×1.5	22.5	26	18	28 ^{-0.1/-0.3}
TI-10	φ 100	105	37	40	83	M26×1.5	24.5	28	20	30 ^{-0.1/-0.3}

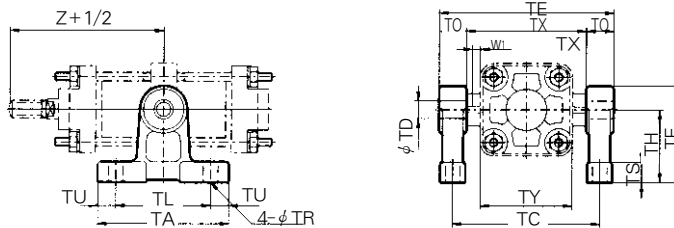
Y Type Double Knuckle Joint



Material : Cast iron

Part No.	Applicable bore	A1	φ E1	L1	MM	R1	U1	φ ND _{H10}	NX	NZ
TY-04A	φ 40	22	24	55	M14×1.5	13	25	12	16 ^{+0.3/+0.1}	38
TY-05A	φ 50 · φ 63	27	28	60	M18×1.5	15	27	12	16 ^{+0.3/+0.1}	38
TY-08A	φ 80	37	36	71	M22×1.5	19	28	18	28 ^{+0.3/+0.1}	55
TY-10A	φ 100	37	40	83	M26×1.5	21	38	20	30 ^{+0.3/+0.1}	61

Trunnion Bracket



Part No.	Applicable bore	TA	TL	TU	TC	TX	TE	TO	φ TR	φ TT	TS	TH	TF	TY	W1	Z	φ TD-H10
TCA2-S04	φ 40	80	60	10	102	85	119	17	9	17	12	45	60	62	10	93	15 ^{+0.070/0}
	φ 50	80	60	10	112	95	129	17	9	17	12	45	60	74	10	103	15 ^{+0.070/0}
TCA2-S06	φ 63	100	70	15	130	110	150	20	11	22	14	55	73	90	10	107	18 ^{+0.070/0}
TCA2-S08	φ 80	120	90	15	166	140	192	26	13.5	24	17	75	100	110	12	129	25 ^{+0.084/0}
	φ 100	120	90	15	188	162	214	26	13.5	24	17	75	100	130	12	135	25 ^{+0.084/0}