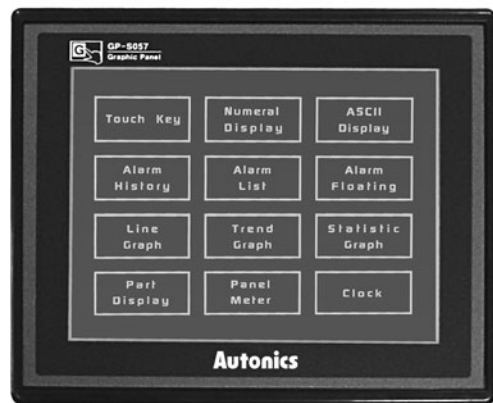


## High visibility with 5.7" wide screen

## Graphic touch panel GP-S057

### ■ Features

- Display max. 1590 characters
- Able to save max. 500 pages of user screen
- Easy S/W upgrade at website
  - (1) GP firmware file
  - (2) GP Editor(Drawing program)
  - (3) Additional protocol
- Different Devices monitoring function
  - : PLC port allows to monitor and control the variables of additionally connected controllers
- Multilingual support
  - : Support for Korean, Japanese, English, Chinese and Russian. Additional languages will be available later on.
- Mult-font support
  - : It provides various bitmap and user-selected fonts.
- Mult communication port
  - : Both RS232 2 port and RS232/RS422 compound port provided.
- Device monitoring
  - : It enables to monitor connectable controller device in main system without graphic design data.
- Printer and barcode reader connection
  - : It enables to print alarm history connecting into the printer and read barcode connecting into barcode reader.
- Compact design
  - : Saving design with 5.7 display
- Various display function
  - : It displays data by various tags.



5.7" MONO

**⚠ Please read "Caution for your safety" in operation manual before using.**



### ■ Manual

Visit our webwite([www.autonics.com](http://www.autonics.com)) to download 'GP Editor user manual' or 'GP, LP user manual for communication', 'GP-S044/S057 user manual'.

#### ● GP Editor user manual

It describes how to write screen data, and is about related usage of GP-S057 HMI function.

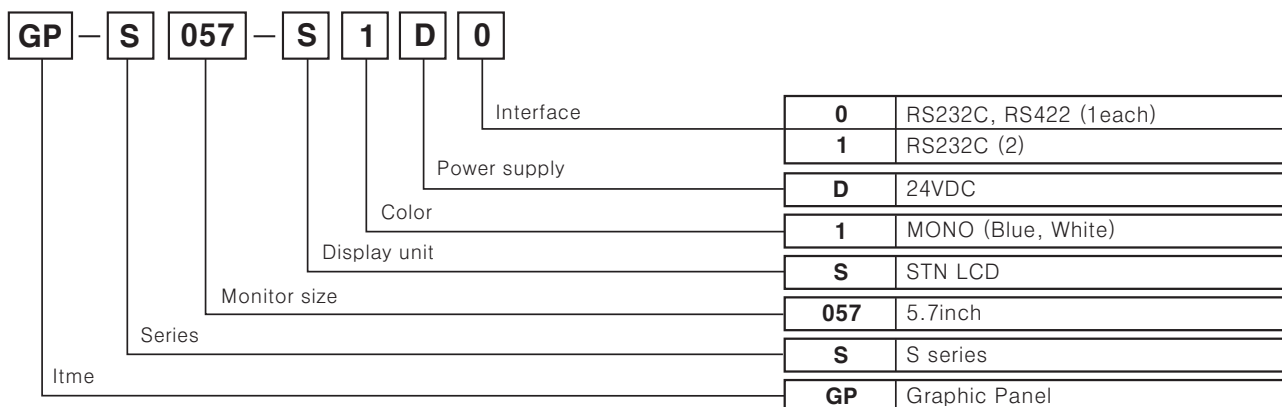
#### ● GP, LP user manual for communication

It describes connection for external devices such as PLC.

#### ● GP-S044/S057 user manual

It describes general information on the installation and usage of GP-S057 and system contents.

### ■ Ordering information



- (A) Photo electric sensor
- (B) Fiber optic sensor
- (C) Door/Area sensor
- (D) Proximity sensor
- (E) Pressure sensor
- (F) Rotary encoder
- (G) Connector/Socket
- (H) Temp. controller
- (I) SSR/Power controller
- (J) Counter
- (K) Timer
- (L) Panel meter
- (M) Tacho/Speed/Pulse meter
- (N) Display unit
- (O) Sensor controller
- (P) Switching power supply
- (Q) Stepping motor & Driver & Controller
- (R) Graphic/Logic panel
- (S) Field network device
- (T) Production stoppage models & replacement

# GP-S057

## ■ Specifications

Model		GP-S057-S1D0	GP-S057-S1D1
Power supply		24VDC ±10%	
Power consumption		3.6W (Max.)	
Display performance	LCD type	5.7inch STN blue negative	
	Resolution	320×240 dots	
	Display area	119mm×91mm	
	Color	MONO(Blue, White)	
	LCD view angle	Top/bottom/left/right 30° in each direction	
	Backlight	White LED	
	Brightness	Adjustable by software	
Graphic drawing performance	Language	English, Korean, Japanese, Chinese, Russian(*1)	
	Text	<ul style="list-style-type: none"> <li>• Up to 1590 characters(6×8font) displayable</li> <li>• 6×8, 8×8 ASCII character, High quality view of numbers</li> <li>• 8×16 ASCII characters, 16×16 regional characters(1-8 times bigger for width, 0.5-5 times bigger for height)</li> </ul>	
	Graphic drawing memory	512 KB	
	Number of user screen	500 pages	
	Touch switch	Width 16×Height 12 = 192	
Serial interface		RS232C, RS422 (1each)	RS232C (2)
Real-time controller		RTC embedded	
Battery life cycle		3 years at 25℃	
Insulated resistance		Min. 100MΩ (at 500VDC megger)	
Ground		3rd grounding (Max. 100Ω)	
Noise trength		The square wave noise (pulse width : 1μs) by the noise simulator with ±500V R/S phase and repetition frequency 60Hz	
Dielectric strength		500VAC (50/60Hz) for a minute	
Vibration	Mechanical	0.75mm amplitude at frequency of 10 to 55Hz (for a minute) in each of X, Y, Z directions for an hour	
	Malfunction	0.5mm amplitude at frequency of 10 to 55Hz (for a minute) in each of X, Y, Z directions for 10 minutes	
Shock	Mechanical	300m/s <sup>2</sup> (30G) in X, Y, Z directions for 3 times	
	Malfunction	100m/s <sup>2</sup> (10G) in X, Y, Z directions for 3 times	
Storage temperature		0 to 50℃ (at non-freezing status)	
Ambient temperature		-20 to 60℃ (at non-freezing status)	
Ambient humidity		35 to 85% RH(at non-dew status)	
Protection ratings		IP65F for front panel	
Accessory		Fixing bracket : 4pcs, rubber waterproof ring, battery included	
Unit weight		Approx. 400g	

\*Environment resistance is rated at no freezing or condensation.

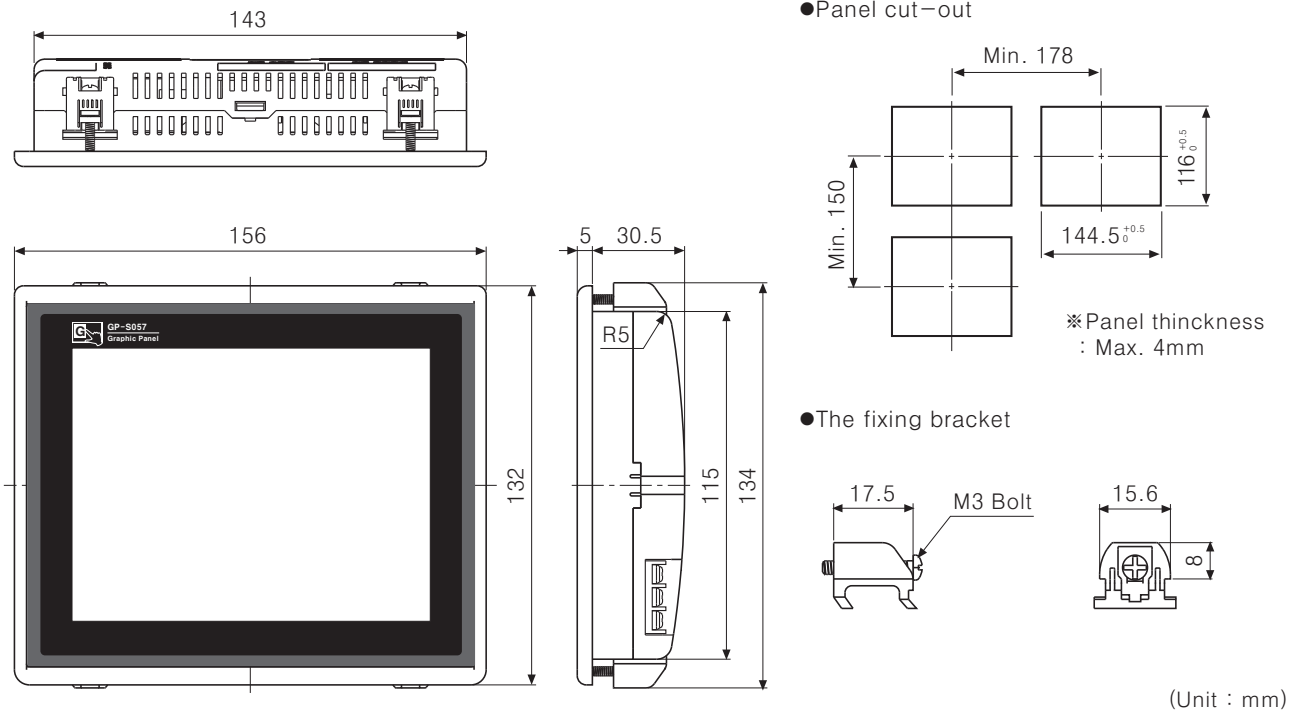
\*(\*)Language can be customized.

## ■ Functional description

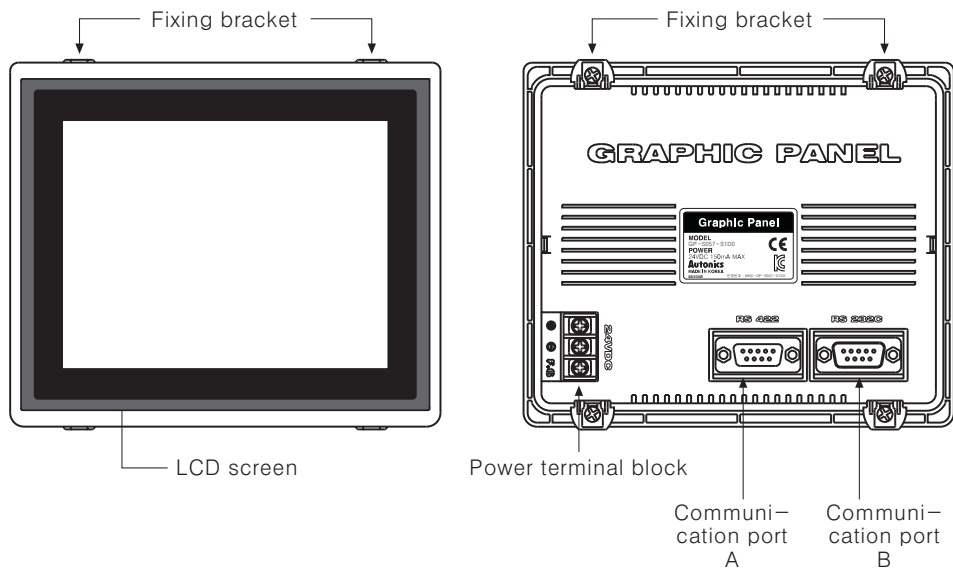
Figure display		Line, rectangle, circle, text, bitmap
Tags	Numeral display	Display the designated device as numerical value. (Decimal, hexadecimal, octal, binary, real number)
	ASCII display	Display the designated device value as ASCII character.
	Time display	Display current time or date.
	Alarm history	Register alarm history.
	Alarm list	Display generated (not backed up) alarm.
	Comment display	Display the designated comment as device status or value.
	Lamp	Display lamp as device status.
	Part display	Display the designated parts as device status and value.
	Line graph	Display several device values with a graph of broken line.
	Trend graph	Display change of device value for time with a graph of broken line.
	Bar graph	Display a device value with a bar graph.
	Statistic graph	Display a ratio of several device values with pie graph.
	Panel meter	Display a device value as panel meter.
	Touch key	Screen is switched, word/bit device values are set when it touched.
	Numeral input	Configure user input value in device.
	ASCII input	Configure user input ASCII code value in device.
	System information function	
Recipe function		Read/Write several PLC device collectively.
Security function		Only acceptable user can observe/operate important data.
Barcode read function		Connect barcode reader, read barcode.
Floating alarm function		Warning message is floated when alarm is generated.
Time operation		Specific bit device is ON/OFF for designated day and time.
Overlap window		Available to form dynamically overlapping another base screen on the base one.
Observe status function		Change PLC device status/value of PLC when trigger is generated.

# Graphic Panel

## Dimensions



## Part description



(★)Communication port

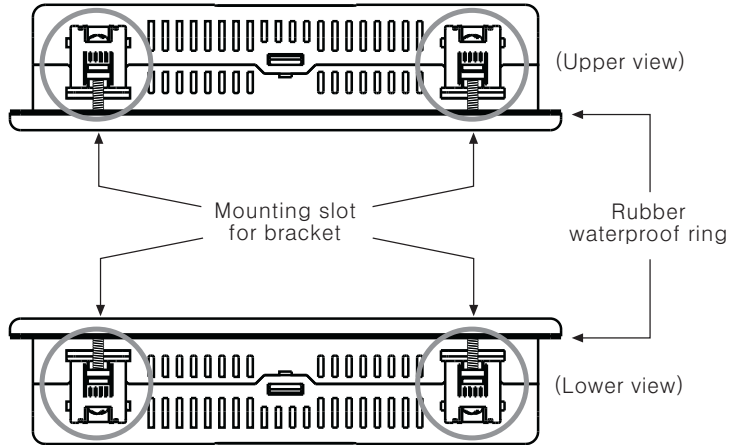
Model	Communication port	Port A	Port B
GP-S057-S1D0		RS422	RS232C
GP-S057-S1D1		RS232C-A	RS232C-B

- (A) Photo electric sensor
- (B) Fiber optic sensor
- (C) Door/Area sensor
- (D) Proximity sensor
- (E) Pressure sensor
- (F) Rotary encoder
- (G) Connector/Socket
- (H) Temp. controller
- (I) SSR/Power controller
- (J) Counter
- (K) Timer
- (L) Panel meter
- (M) Tacho/Speed/Pulse meter
- (N) Display unit
- (O) Sensor controller
- (P) Switching power supply
- (Q) Stepping motor & Driver & Controller
- (R) Graphic/Logic panel
- (S) Field network device
- (T) Production stoppage models & replacement

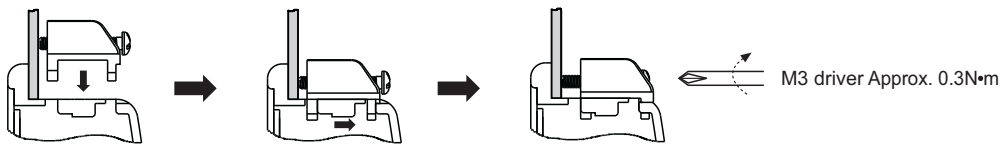
# GP-S057

## ■ Installation

1. Set a rubber waterproof ring after placing the ring's joining part under the GP-S057.
2. Adhere closely between each edge of the GP-S057 and the rings.
3. Set GP-S057 in panel.
4. Set the fix bracket to 4 bracket slots and fix them with bracket's screws.



### ● Mounting bracket



## ■ Sold separately

Transmission cables connectable into external devies such as PLC are sold separately.