


Miniature LCD Pulse Meter

DIN W48 × H24mm, Indication only, LCD Pulse Meter(RPM, RPS, Hz)

Features

- Upgraded version of LA7N series
- Display up to 10000RPM
- Protection structure IP66
- Display RPM, RPS of rotator
- Display AC Frequency
- Protection structure IP66

 Please read "Caution for your safety" in operation manual before using.



Ordering information

L R 5 N - B

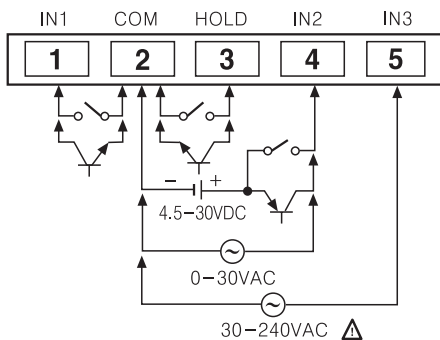
B	Internal lithium battery
N	DIN W48 × H24mm
5	10000(Digit)
R	Pulse meter
L	LCD Display

Specifications

*It is available from May, 2007.

Series		LR5N-B		
Input type	No-voltage input	Voltage input 1		Voltage input 2
Input signal level	<ul style="list-style-type: none"> • Impedance at short-circuit:10kΩ (ON), residual voltage:Max. 0.5V • Impedance at open-circuit:500kΩ (OFF) 	DC	Voltage : 4.5-30VDC Voltage : 0-2VDC	Voltage : 30-240VAC
		AC	Voltage : 0-30VAC	
Battery life cycle	Over 3 years(at 20°C)			
Display method	LCD Zero Blanking type (Height : 8.7mm)			
Digit	5 digits			
Display range	RPM	1 ~ 10000RPM		
	0.1RPM	0.1 ~ 1000.0RPM		
	RPS	1 ~ 1000RPS		
	Hz	1 ~ 1000Hz		
	0.1Hz	0.1 ~ 100.0Hz		
Display accuracy	F.S. ±0.1% ±1digit			
Insulation resistance	Min. 100MΩ (at 500VDC)			
Dielectric strength	2000VAC 50/60Hz for 1 minute			
Vibration	Mechanical	0.75mm amplitude at frequency of 10 ~ 55Hz in each of X, Y, Z directions for 1 hour		
	Malfunction	0.3mm amplitude at frequency of 10 ~ 55Hz in each of X, Y, Z directions for 10 minutes		
Shock	Mechanical	300m/s ² (Approx. 30G) in X, Y, Z directions for 3 times		
	Malfunction	100m/s ² (Approx. 10G) in X, Y, Z directions for 3 times		
Ambient Temperature	-10~ 55°C (at non-freezing status)			
Storage Temperature	-25~ 65°C (at non-freezing status)			
Ambient humidity	35 ~ 85%RH			
Unit weight	Approx. 58g			

Connections



*Please use reliable contacts enough to flow 5μA of current when using input signal or reset signal as a contact.

*IN1 ⇨ No-voltage input

IN2 ⇨ Voltage input

• DC voltage input

• AC voltage input : Display AC frequency.

IN3 ⇨ AC voltage input : Display AC frequency.

*Choose one among IN1, IN2 and IN3 to use.

(A) Counter

(B) Timer

(C) Temp. controller

(D) Power controller

(E) Panel meter

(F) Tacho/Speed/Pulse meter

(G) Display unit

(H) Sensor controller

(I) Switching power supply

(J) Proximity sensor

(K) Photo electric sensor

(L) Pressure sensor

(M) Rotary encoder

(N) Stepping motor & Driver & Controller

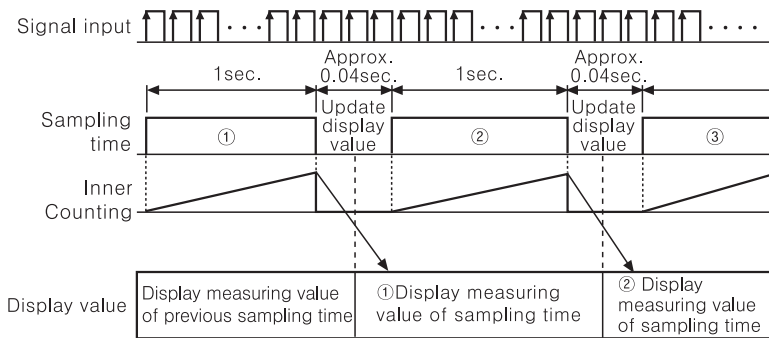
(O) Graphic panel

(P) Production stoppage models & replacement

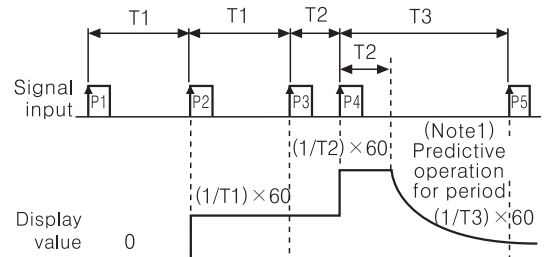
LR5N-B

Operation chart

Setting RPS, Hz



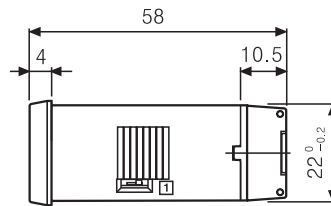
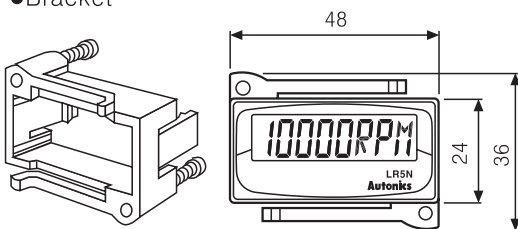
Setting RPM, 0.1RPM, 0.1Hz



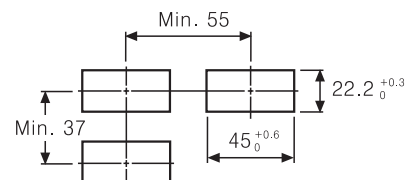
※ (Note1) Predictive operation for period : It displays predicted RPM value for input signal after regular time (T2) when input signal is slower than current RPM.

Dimensions

Bracket



Panel cut-out

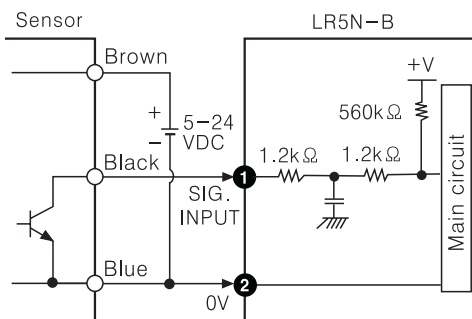


(Unit:mm)

Input connections

Standard input sensor

: Encoder with NPN open collector output type



Display range selection

SW	RPM		0.1RPM		RPS	
	1	2	1	2	1	2
Front panel	■	■	■	■	■	■
Terminal block	□	□	□	□	□	□
RESET	□	□	□	□	□	□
Hz	□	□	□	□	□	□
RPS	□	□	□	□	□	□

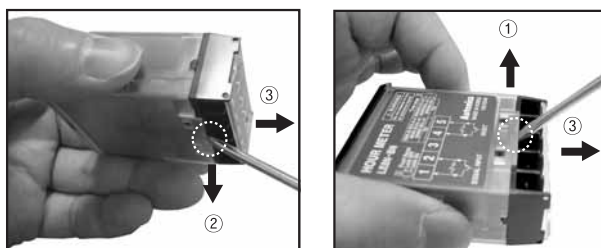
※ Setting of display range

① Select one among ×1, ×0.1, RPS by SW2.

② Select RPM/RPS or Hz after select RESET on SW1.

Case detachment and battery replacement

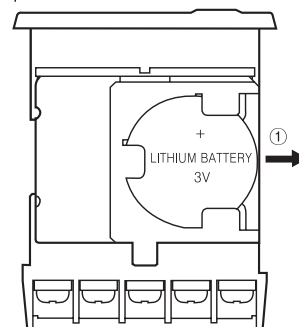
Case detachment



※ Hold up Lock part toward ①, ② of the product with the tool and pull toward ③, the case is detached.

⚠ Please be careful to use with tools, it may cause injury.

Battery replacement



1) Detach the case.

2) Push the battery and detach toward ①.

3) Insert the battery with correct alignment of polarity pushing

toward opposite of ①.

※ Battery is optional.

※ Do not burn up or disassemble the lithium battery.