

Sensor controller

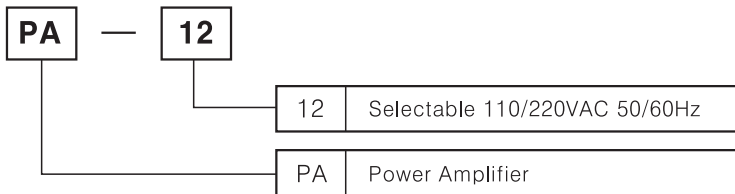
■ Features

- Selectable use of 110/220VAC
- Selectable use of NPN, PNP input
- Able to drive loads up to 3A, 250VAC with proximity sensor or photo sensor input
- Convenient to mount on Socket by plug in type
- Output relay with both NO and NC contacts

⚠ Please read "Caution for your safety" in operation manual before using.



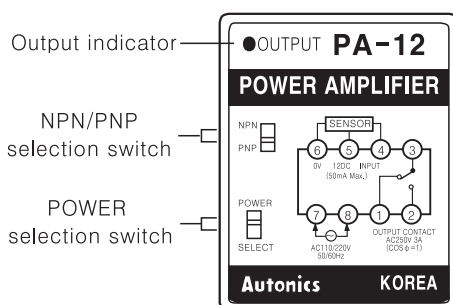
■ Ordering information



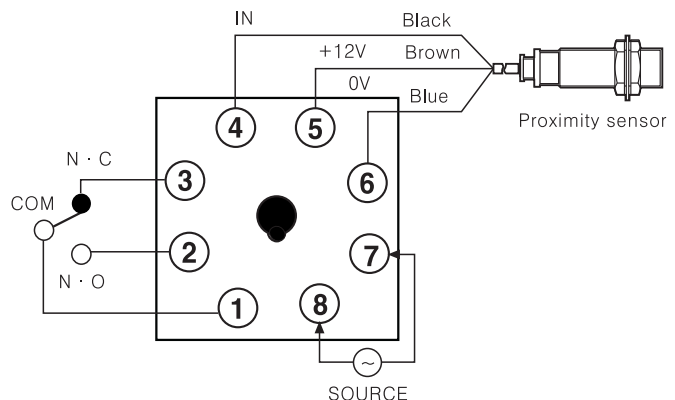
■ Specifications

Model		PA-12
Type		Selectable NPN/PNP
Power supply		Selectable 110-220VAC 50/60Hz
Power consumption		Approx. 4VA
Power for proximity sensor		12VDC 50mA
Input signal	P N P	High Level : 7-12VDC, Low Level : 0-5VDC
	N P N	Short-circuit impedance : Max. 1kΩ, Residual voltage : Max. 2VDC, Open-circuit impedance : Min. 100kΩ
Response time	Input	Max. 0.2ms
	Output	Max. 10ms
Input resistance		10kΩ
Control output	Contact composition	SPDT(1a1b)
	Contact capacity	250VAC 3A(For resistive load)
Ambient temperature		-10 ~ +50℃ (at non-freezing status)
Ambient humidity		45 ~ 85%RH
Relay life cycle	Mechanical	Min. 10,000,000 times
	Electrical	Min. 100,000 times(250VAC 3A resistive load)
Unit weight		Approx. 269g

■ Front panel identification



■ Connections



(A) Counter

(B) Timer

(C) Temp. controller

(D) Power controller

(E) Panel meter

(F) Tacho/Speed/Pulse meter

(G) Display unit

(H) Sensor controller

(I) Switching power supply

(J) Proximity sensor

(K) Photo electric sensor

(L) Pressure sensor

(M) Rotary encoder

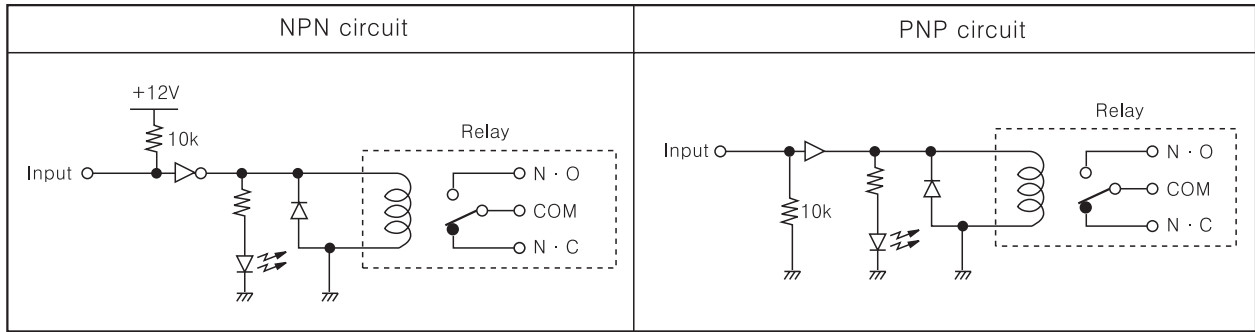
(N) Stepping motor & Driver & Controller

(O) Graphic panel

(P) Production stoppage models & replacement

PA-12

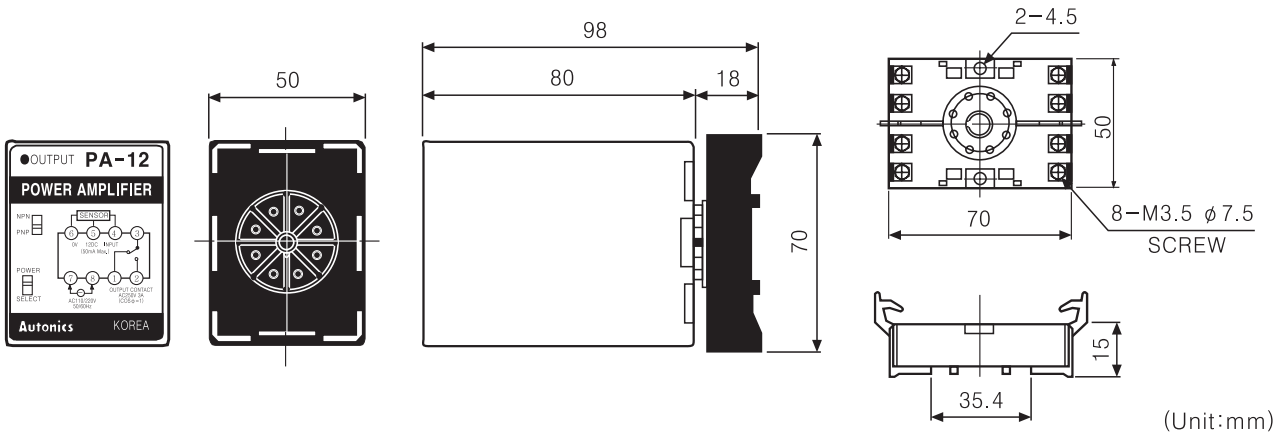
Function diagram



Operation mode

Input	NPN	PNP
Input level		
Relay output	NO NC	NO NC
LED	ON OFF	ON OFF

Dimensions



Proper usage

1. Power selection switch is set according to power voltage.
2. Please check connections before wiring.
3. Please be cautious not to short-circuit the 12VDC terminal at GND.
4. Do not install this unit at place where steam, dust, corrosive gas and water exist.